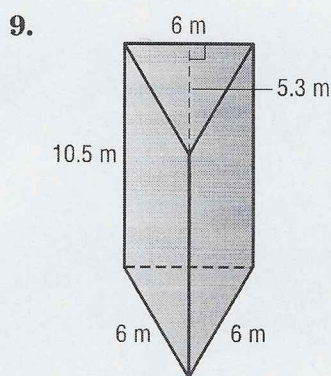
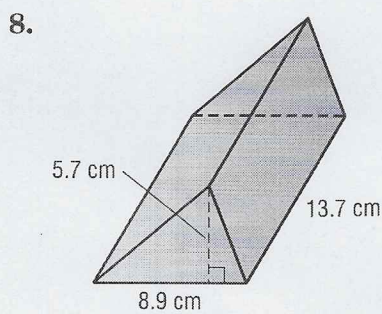
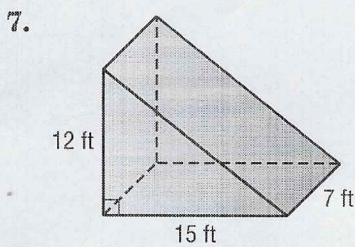
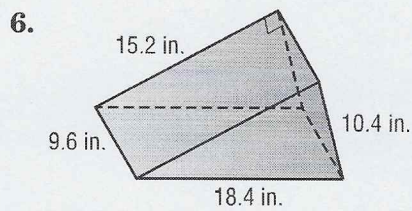
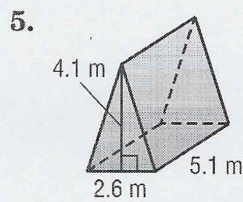
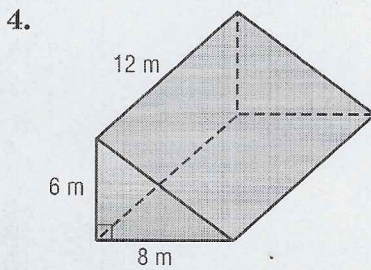
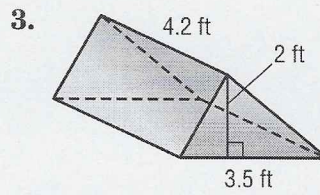
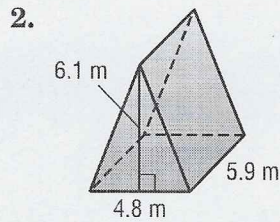
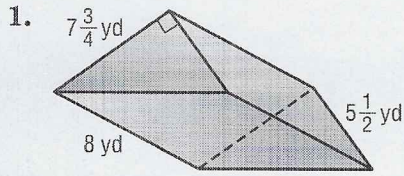


# Lesson 2 Skills Practice

## Volume of Triangular Prisms

Find the volume of each prism. Round to the nearest tenth if necessary.



Copyright © The McGraw-Hill Companies, Inc. Permission is granted to reproduce for classroom use.