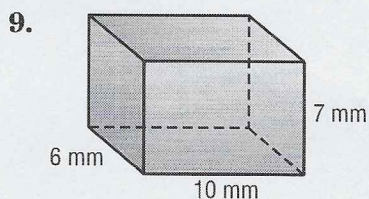
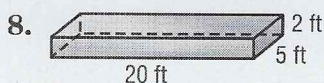
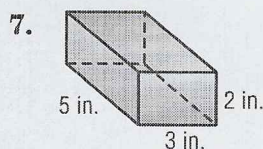
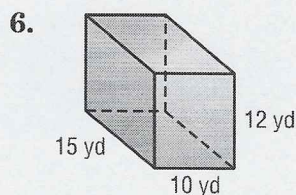
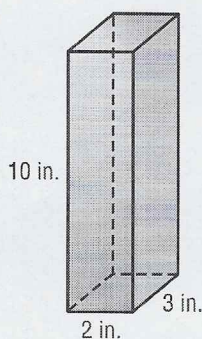
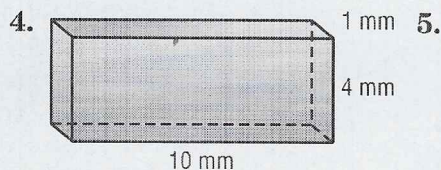
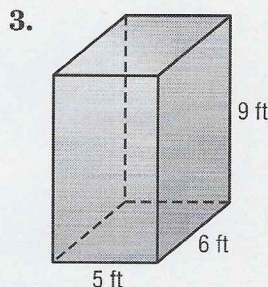
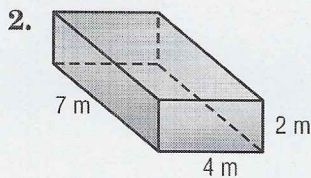
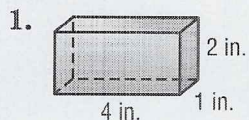


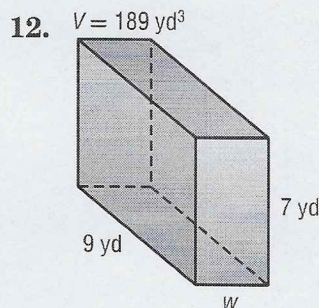
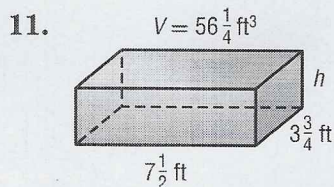
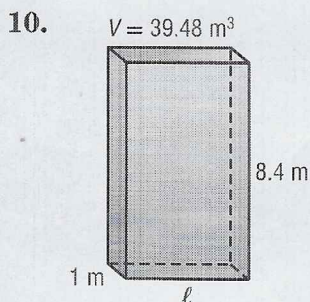
# Lesson 1 Skills Practice

## Volume of Rectangular Prisms

Find the volume of each prism.



Find the missing dimension of each prism.



13. Find the volume of a rectangular prism with length 9 meters, width 4 meters, and height 5 meters.

14. What is the volume of a rectangular prism with length 6 yards, width 3 yards, and a height of 2 yards?