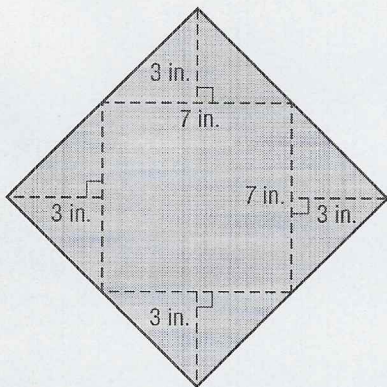


# Lesson 6 Skills Practice

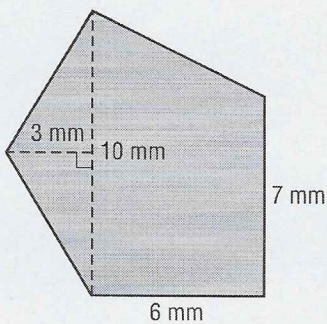
## Area of Composite Figures

Find the area of each figure. Round to the nearest tenth if necessary.

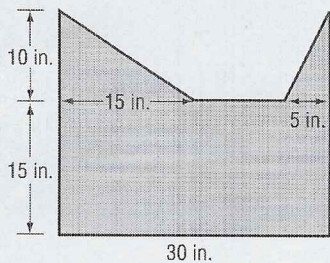
1.



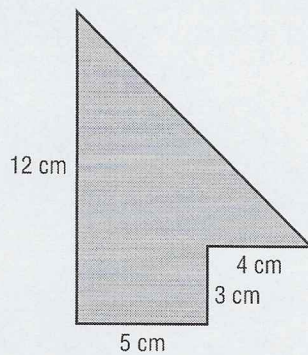
2.



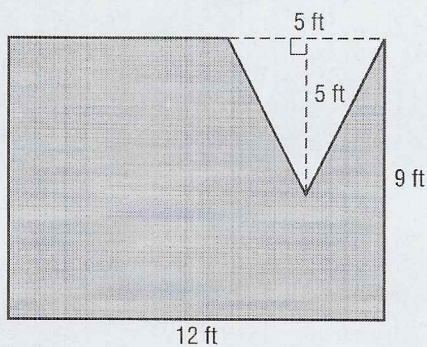
3.



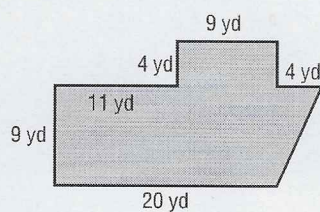
4.



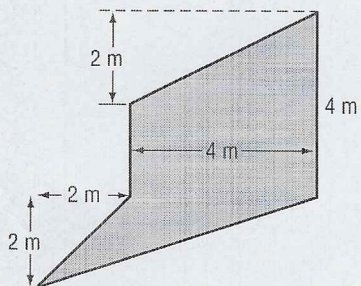
5.



6.



7.



8.

